

Thank you for purchasing a Sealey product. Manufactured to a high standard, this product will, if used according to these instructions, and properly maintained, give you years of trouble free performance.

IMPORTANT: PLEASE READ THESE INSTRUCTIONS CAREFULLY. NOTE THE SAFE OPERATIONAL REQUIREMENTS, WARNINGS & CAUTIONS. USE THE PRODUCT CORRECTLY AND WITH CARE FOR THE PURPOSE FOR WHICH IT IS INTENDED. FAILURE TO DO SO MAY CAUSE DAMAGE AND/OR PERSONAL INJURY AND WILL INVALIDATE THE WARRANTY. KEEP THESE INSTRUCTIONS SAFE FOR FUTURE USE.



Refer to instruction manual

1. SAFETY

- ✓ Ensure the folding step is in good order and condition.
- ✓ Apply vehicle handbrake and chock wheels before attaching or using the wheel step (put automatics in 'Park').
- ✓ Ensure that the vehicle is stable before using the wheel step.
- ✓ Ensure that the wheel step is mounted level on the wheel/tyre.
- ✗ **DO NOT** use if damaged.
- ✗ **DO NOT** heavily load the vehicle causing the suspension to depress whilst the wheel step is in place.
- **WARNING!** The warnings, cautions and instructions discussed in this manual cannot cover all possible conditions and situations that may occur. It must be understood that common sense and caution are factors which cannot be built into this product, but must be applied by the operator.

2. INTRODUCTION

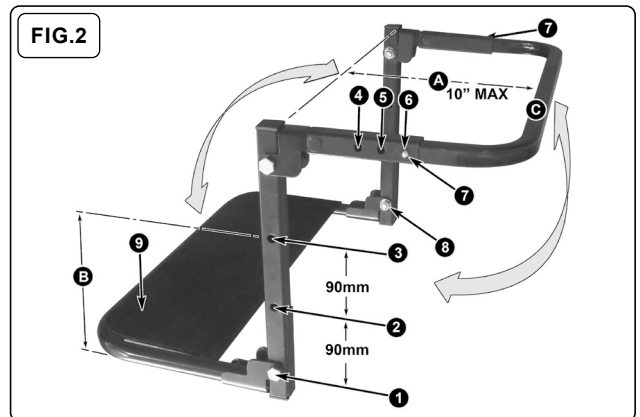
Heavy-duty wheel step gives safe and easy-access to engine or top of vehicle, ideal for 4x4s. Heavy gauge all steel construction folds for easy storage. Suitable for wheel diameters between 14" and 20" and will fit tyres up to 10" deep. Rubber topped platform for added grip and safety. Platform is height-adjustable (three mounting points 90mm apart).

3. SPECIFICATION

Model No:..... **STS01**
Maximum Capacity:..... 225kg
Platform Size:..... 210 x 560mm
Wheel Diameter: 14"-20"

4. OPERATION

- **WARNING!** To prevent personal accident and/or damage to the vehicle, it is imperative that the vehicle does not move during the fitting or use of the wheel step. Chock the wheels and ensure that the vehicle handbrake is on. Put automatics in 'park'.
- 4.1. Unfold the step frame. Take the step in its flat condition as shown in fig.1 and pull the adjustable wheel bar (C) into position.
- 4.1.1. Using bar (C), lift the whole frame away from the step into the fully open configuration shown in fig.2.



- 4.2. Adjust bar (C) to suit tyre depth (A): Bar (C) can be set to one of three positions as indicated at 4, 5 & 6 in fig.2. These holes occur on both sides of the frame. To move the bar to the next set of holes, depress the sprung chrome buttons (7) on either side into the frame and slide the frame in or out until the buttons 'pop out' into the next set of holes.
- 4.3. Adjust height of step (B): There are three positions for the step as indicated at 1, 2, & 3 in fig.2. Loosen and remove nut (8) on both sides of the step. Withdraw the two bolts and reassemble the step at the height required ensuring that the nuts are not so tight as to prevent the hinges operating when it is required to fold the frame flat. The step height can be changed either before or after hanging the frame onto a vehicle wheel/tyre.
- 4.4. Hang frame on tyre: Ensure that the handbrake is on and the wheels are chocked before positioning the wheel step.

- 4.4.1. Check that there is sufficient clearance between the wheel arch and the tyre and then insert bar (C) into the space above the tyre and drop it down over the top of the tyre ensuring that it is securely hooked over the back. If not, adjust the position of bar (C). Ensure that the step is level and the vertical parts of the frame are resting securely onto the face of the wheel/tyre.
- 4.4.2. Adjust the height of the step if necessary.
- 4.4.3. When using the step be aware of your surroundings. Do not become so engrossed in what you are doing that you forget you are standing on a step.
- 4.5. Removing the step: Remove the step immediately after use and certainly before the vehicle is next used.



ENVIRONMENT PROTECTION

Recycle unwanted materials instead of disposing of them as waste. All tools, accessories and packaging should be sorted, taken to a recycling centre and disposed of in a manner which is compatible with the environment. When the product becomes completely unserviceable and requires disposal, drain any fluids (if applicable) into approved containers and dispose of the product and fluids according to local regulations.



REGISTER YOUR PURCHASE HERE

Note: It is our policy to continually improve products and as such we reserve the right to alter data, specifications and component parts without prior notice.

Important: No Liability is accepted for incorrect use of this product.

Warranty: Guarantee is 12 months from purchase date, proof of which is required for any claim.

Sealey Group, Kempson Way, Suffolk Business Park, Bury St Edmunds, Suffolk. IP32 7AR



01284 757500



sales@sealey.co.uk



www.sealey.co.uk